



*LPG dispenser type "LPG6000BP"
with electronic computer HT-TE*

SINCERT



SISTEMA
DI GESTIONE
CERTIFICATO

REG. N. 1124
UNI EN ISO 9001:2000



English text

petrolmeccanica srl – Via Tolara di Sopra 51 – 40064 Ozzano Emilia (BO) ITALY
Tel. +39051794611 fax +39051797819 – e-mail : info@petrolmeccanica.it
WEB : www.petrolmeccanica.it

L.P.G. dispenser type "LPG6000BP" ,flag model, is developed from the basic "LPG6000", produced in single or double delivery versions, one or dual sides view. Equipped with electronic computer, solenoid valves and amount preset. Option with temperature compensation is available on request.

Common parts with basic model as follows :

METER – Four pistons , four cylinders with stainless treatment, Accuracy $\pm 0,5\%$. Total displacement meter 0,5 liters.

DIFFERENTIAL VALVE – Piston type in a ground cylinder, with double sealing. It balances the pressure in the meter damping water hammer, stops the filling in case of pressure lowest than vapour phase.

DEGASSING MONOBLOCK – Composed by following elements :

- Stainless steel filter
- Degassing unit check valve
- Degassing unit capacity 2 liters
- Safety valve (closing ΔP 11 bar)
- Meter check valve

SOLENOID VALVE DOUBLE COILS – Solenoid valve, supplied 24 Vac directly from electronic computer, slows-down and stops the liquid with accuracy to the preset amount. Direct driving type, not servo-controlled, works with $\Delta P=0$ too. The coils are certificated for ZONE 1. (Eex-d or Eex-m)

BALL VALVE – Useful for Service to minimize gas losses in case of maintenance.

PRESSURE GAUGES – Each hydraulic circuit is provided with two pressure gauges filled with Glycerine. One indicates the filling pressure, the other indicates the return vapour line pressure.

SIGHT GLASS – Wide visibility, tempered glasses and impeller.

BREAK-AWAY VALVE – Both sides closing, lateral breaking point 210 N. Other types of valves are available on request.

DELIVERY HOSE – Suited for LPG, reinforced with two high resistance steel wire braiding.

DELIVERY NOZZLE – Available in several models, in accordance with national standards for car-connectors.

Different parts from basic model as follows :

FRAME – Flag type with housing for hydraulic circuit separated from electronic computer head box. The hydraulic circuit housing is made of a strong frame powder painted, covered with two panels equipped with locks. Ventilation is provided in the bottom by means of appropriate openings. Lateral stand (column type) stainless steel made , includes electric cables-boxes and start/stop microswitch. It supports the computer head box separated by means of a vertical barrier type 2. At the sides it supports nozzle boot, start/stop button, sight glass, pressure gauges. Three side panels can be opened allowing easy inspection for the Service. Eex-d cable-glands are adopted to insulate the cables for the computer connections. The electronic computer box is made with protection IP54. By means of two locks the box can be opened to change the prices by means of a proper keyboard. All computing electronic parts can be replaced by authorized Staff, removing the lead-seals, in accordance with procedures of the local Authorities (Weight and Measures Office)

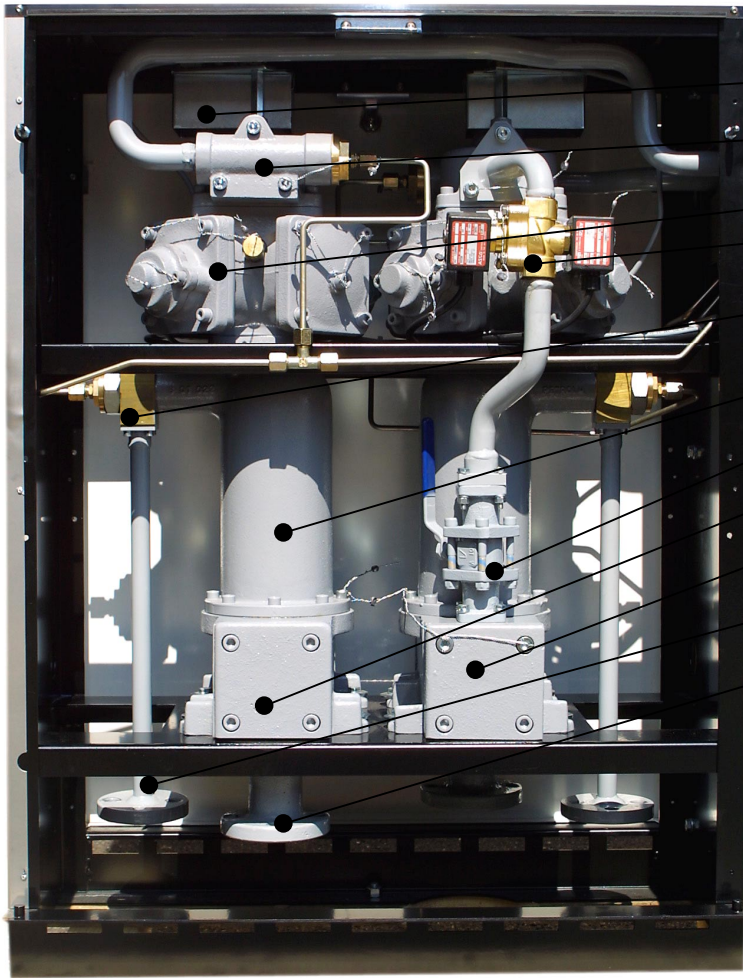
PULSER – It is directly coupled on the meter, the electronic components are closed in Eex-d box in accordance with EN 50018:1995. Accuracy 1 impulse = 1 cl. transmitted on two channels. It's properly sealed to avoid any un-authorized manipulation.

ELECTRONIC COMPUTER – Type HT-TE with serial interface for remote connection with Pumalan's devices. Equipped with one LCD back-lit display and one not-resettable electromechanical totalizer. Dual view version is provided with a second back-lit display without totalizer .A self-diagnostic system allows to identify the failures. Data storage time is unlimited. Data remain readable for at least 30 minutes from power line failure. Other types of electronic computers can be installed on request, if approved by the Authorities.

AMOUNT PRESET – Two versions are available. Standard buttons mounted on the external surface of the computer head box or keyboard HT-PUL (Eex-n). Different parameters are programmable for presetting values. (liters, amount, quantity)

CABLES ELECTRIC BOXES – The electric boxes in ZONE 1 are explosion-proof (Eex-d) made in accordance with EN 50018:1995.

**DOUBLE DELIVERY DISPENSER
HYDRAULIC HOUSING SIDE B**



- 1 Pulsar B
- 2 Differential valve B
- 3 Meter B
- 4 Double coils sol.valve A
- 5 Safety valve B
- 6 Degassing unit B
- 7 Ball valve A
- 8 Filter cover B
- 9 Meter check valve cover A
- 10 Vapour return line B
- 11 Inlet liquid phase B

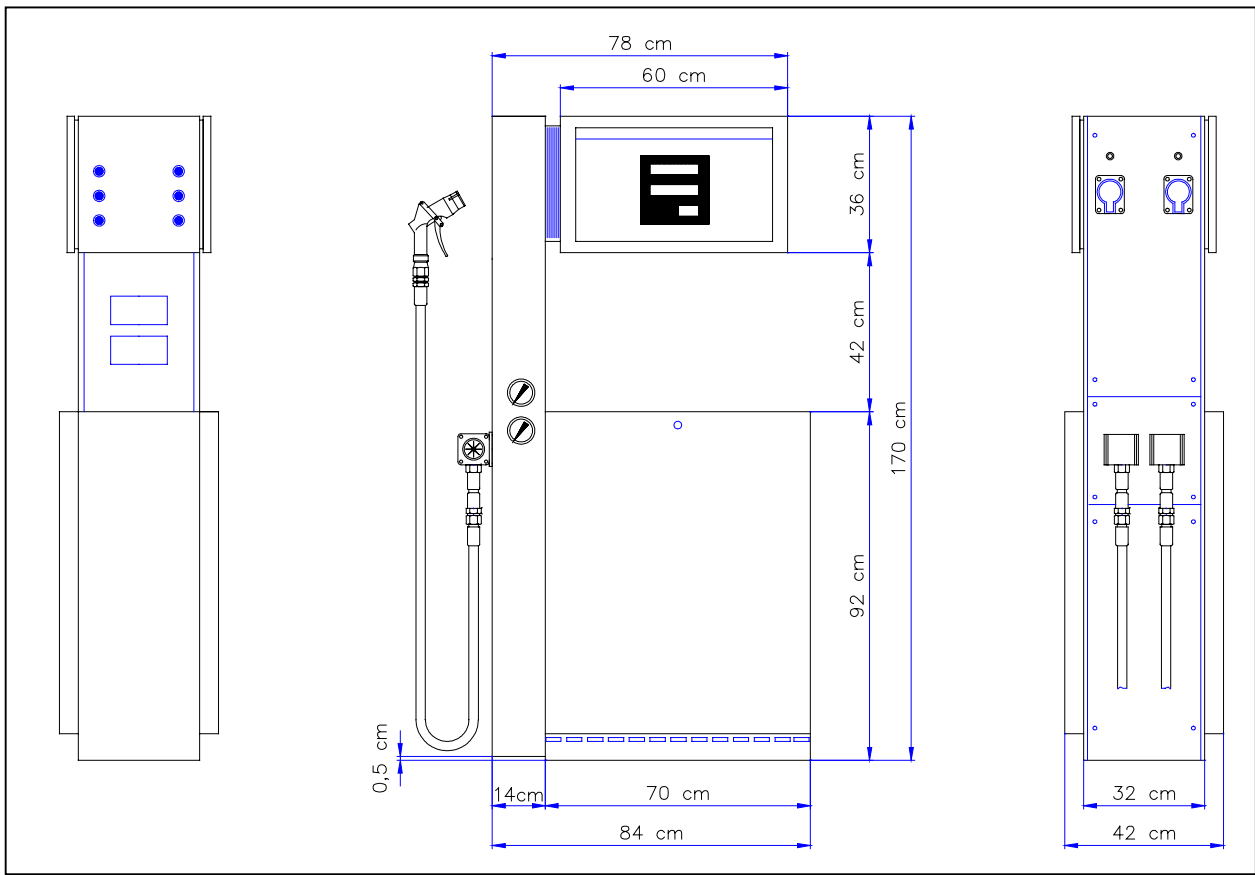
Preset keyboard HT-PUL



Preset buttons in the comp.box



Computer box with back-lit displays



TECHNICAL SPECIFICATIONS

VOLTAGE SUPPLY : 230 Vac

FREQUENCY : 48-62 Hz

POWER : Single delivery 89 Watt solenoid valves included, double delivery 150 Watt solenoid valves included

WEIGHT : single delivery 150 kg. Double delivery 240 kg.

MAX SUGGESTED OPERATING PRESSURE : 18 bar (this pressure is suggested to obtain the best performance and long life of the components)

NOMINAL PRESSURE : 25 bar (this pressure is adopted as standard to project all the components)

TESTING PRESSURE (type test) : 40 bar

OPERATING TEMPERATURE : -25 C° + 55 C° (Available for temperature -40 C° + 50 C°)

METER ACCURACY : +/- 0,5 %

LPG6000BP is approved by Italian Ministry of Industry and Trade (Weight and Measures Department) in accordance with harmonized International Standards (OIML). Other approvals are available on request.

ATEX - EC-Type Examination Certificate Number: FTZÙ 03 ATEX 0405

Petrolmeccanica reserves the right to modify at any time and without notice the informations contained in this brochure. The above informations are not binding for Petrolmeccanica.